


# SMART

## Various Display of Air purifying


Installed Wi-Fi leads unlimited boundary to control IDU and display air purifying status.

**① IDU LED**  
Shows quality of Indoor air in real time




■ Good      ■ Bad  
■ Normal      ■ Very Bad

**② Remote controller**  
Display Air status and Fine Dust Concentration



**③ Mobile**  
Whenever & Wherever Check and Control Air status



## Pairing LG ThinQ

Anywhere! Anytime! Can connect to IDU with LG ThinQ

- ① Monitoring Air status Easy to check indoor air status
  - Ultra Fine / Extra Fine / Fine Dust
  - Day / Week / Month / Yearly
- ② Mobile Remote Control Remote control by using mobile phone
  - Control Mode / Temperature / Air flow etc.
- ③ Display Power Consumption Check power consumption of A/C
  - Check energy display
  - Set target energy consumption level



# CEILING MOUNTED CASSETTE



## H-INVERTER (R32)

UT09FH  
UT12FH  
UT18FH  
UT24FH  
UT30FH



UUA1 ULO

UUB1 U20

UUC1 U40



LG participates in the ECP programme for EUROVENT AC program. Check ongoing validity of certification : [www.eurovent-certification.com](http://www.eurovent-certification.com)

| COMBINATION               |                    | 9                 | 12        | 18                 | 24                 | 30                 |                    |                    |
|---------------------------|--------------------|-------------------|-----------|--------------------|--------------------|--------------------|--------------------|--------------------|
| Capacity                  | Cooling            | Min - Rated - Max | kW        | 1.6 / 2.5 / 4.0    | 1.6 / 3.4 / 4.8    | 2.0 / 5.0 / 6.0    | 2.7 / 6.8 / 8.3    | 3.2 / 8.0 / 9.5    |
|                           | Heating            | Min - Rated - Max | kW        | 1.7 / 3.2 / 4.5    | 1.7 / 4.1 / 5.8    | 2.3 / 5.8 / 7.0    | 3.2 / 7.9 / 9.9    | 3.6 / 9.0 / 10.7   |
| Power Input (Set)         | Cooling            | Min - Rated - Max | kW        | 0.32 / 0.61 / 0.98 | 0.32 / 0.97 / 1.78 | 0.30 / 1.25 / 1.69 | 0.30 / 1.66 / 2.31 | 0.40 / 2.12 / 2.82 |
|                           | Heating            | Min - Rated - Max | kW        | 0.32 / 0.75 / 1.06 | 0.32 / 1.03 / 1.87 | 0.30 / 1.47 / 1.98 | 0.40 / 1.76 / 2.53 | 0.40 / 2.14 / 2.93 |
| Running Current           | Cooling            | Rated             | A         | 2.7                | 4.3                | 7.2                | 7.4                | 9.4                |
|                           | Heating            | Rated             | A         | 3.3                | 4.6                | 7.7                | 7.8                | 9.5                |
| EER / COP                 |                    |                   | kWh/kWh   | 4.10 / 4.30        | 3.50 / 4.00        | 4.00 / 3.95        | 4.10 / 4.48        | 3.77 / 4.20        |
| SEER / SCOP               |                    |                   | kWh/kWh   | 7.0 / 4.0          | 6.8 / 4.0          | 7.6 / 4.4          | 8.5 / 4.8          | 7.8 / 4.8          |
| Pdesign                   | Cooling @ 35°C     |                   | kW        | 2.5                | 3.4                | 5.0                | 6.8                | 8                  |
|                           | Heating @ -10°C    |                   | kW        | 2.8                | 2.8                | 4.1                | 5.5                | 5.5                |
| Seasonal Energy Label     | Cooling / Heating  |                   |           | A++ / A+           | A++ / A+           | A++ / A+           | A+++ / A++         | A++ / A++          |
| Annual Energy Consumption | Cooling / Heating  |                   | kWh       | 125 / 980          | 175 / 980          | 230 / 1,305        | 280 / 1,604        | 359 / 1,604        |
| Dehumidification Rate     |                    |                   | l/h       | 0.1                | 0.8                | 1.9                | 1.7                | 2.7                |
| ODU Sound Pressure Level  | Cooling / Heating  | Rated             | dB(A)     | 49 / 52            | 49 / 52            | 47 / 52            | 48 / 52            | 50 / 52            |
| ODU Sound Power Level     | Cooling            | Rated             | dB(A)     | 65                 | 65                 | 63                 | 65                 | 68                 |
| Piping Connections        | Liquid             |                   | mm (inch) | Ø6.35 (1/4)        | Ø6.35 (1/4)        | Ø6.35 (1/4)        | Ø9.52 (3/8)        | Ø9.52 (3/8)        |
|                           | Gas                |                   | mm (inch) | Ø9.52 (3/8)        | Ø9.52 (3/8)        | Ø12.7 (1/2)        | Ø15.88 (5/8)       | Ø15.88 (5/8)       |
|                           | Connections Method |                   |           | Flared             | Flared             | Flared             | Flared             | Flared             |
| Operation Range (Outdoor) | Cooling            | Min - Max         | °C        | -15 - 50           | -15 - 50           | -15 - 50           | -20 - 50           | -20 - 50           |
|                           | Heating            | Min - Max         | °C        | -20 - 18           | -20 - 18           | -20 - 18           | -20 - 18           | -20 - 18           |

| INDOOR                        |            | UT09FH NQ0  | UT12FH NQ0     | UT18FH NB0        | UT24FH NA0        | UT30FH NA0         |
|-------------------------------|------------|-------------|----------------|-------------------|-------------------|--------------------|
| Power Supply                  |            | Ø, V, Hz    | 1, 220-240, 50 | 1, 220-240, 50    | 1, 220-240, 50    | 1, 220-240, 50     |
| Power Input (IDU)             |            | H / M / L   | 30 / 26 / 22   | 30 / 26 / 22      | 33 / 26 / 22      | 43 / 35 / 28       |
| Air Flow Rate                 |            | H / M / L   | m³/min         | 11.0 / 10.0 / 9.3 | 11.0 / 10.0 / 9.3 | 17.0 / 15.5 / 14.0 |
| Dimensions                    | Body       | W x H x D   | mm             | 570 x 256 x 570   | 570 x 256 x 570   | 840 x 204 x 840    |
| Weight                        | Body       |             | kg             | 13.9              | 13.9              | 21.1               |
| Sound Pressure Level          | Cooling    | H / M / L   | dB(A)          | 41 / 39 / 37      | 41 / 39 / 37      | 37 / 36 / 34       |
| Sound Power Level             | Cooling    | Max.        | dB(A)          | 54                | 54                | 52                 |
| Piping Connections            | Drain      | O.D. / I.D. | mm             | Ø32.0 / 25.0      | Ø32.0 / 25.0      | Ø32.0 / 25.0       |
| Recommended Decoration Panel* | Model Name |             |                | PT-QAGW0          | PT-QAGW0          | PT-AFGW0           |
|                               | Color      |             |                | White             | White             | White              |
|                               | Dimensions | Body        | mm             | 620 x 34 x 620    | 620 x 34 x 620    | 950 x 35 x 950     |
|                               | Weight     | Body        | kg             | 3.0               | 3.0               | 7.5                |

| OUTDOOR                             |                                | UUA1 ULO  | UUB1 U20       | UUC1 U40        |
|-------------------------------------|--------------------------------|-----------|----------------|-----------------|
| Power Supply                        |                                | Ø, V, Hz  | 1, 220-240, 50 | 1, 220-240, 50  |
| Circuit Breaker                     |                                | Min       | A              | 20              |
| Power Supply Cable (included Earth) |                                | No x mm²  | 3C x 1.5       | 3C x 2.5        |
| Dimensions                          | Net                            | W x H x D | mm             | 770 x 545 x 288 |
| Weight                              | Net                            |           | kg             | 33.3            |
| Compressor                          | Type                           |           |                | Twin Rotary     |
|                                     | Type                           |           |                | R32             |
|                                     | GWP (Global Warming Potential) |           |                | 675             |
| Refrigerant                         | Precharged Amount              |           |                | 1.0             |
|                                     | t-CO <sub>2</sub> eq.          |           |                | 0.675           |
|                                     | Additional Charge (After 7.5m) |           |                | 20              |
| Fan                                 | Air Flow Rate                  | Rated     | m³/min x No.   | 28 x 1          |
| Total Piping Length                 |                                | Min / Max | m              | 5 / 30          |
|                                     | Piping Elevation               | IDU - ODU | Max            | m               |

\* Decoration panel can be selected as an optional accessory.

Note :

1. Due to our policy of innovation some specifications may be changed without notification.
2. Performances are based on the following conditions (It is accordance with EN14511)
  - Cooling : Indoor Ambient Temp. 27°CDB / 19°CWB, Outdoor Ambient Temp. 35°CDB / 24°CWB
  - Heating : Indoor Ambient Temp. 20°CDB / 15°CWB, Outdoor Ambient Temp. 7°CDB / 6°CWB
  - Interconnected Pipe is standard length and difference of Elevation (Outdoor - Indoor Unit) is 0m.
3. Sound Level Values are measured at Noise Measuring chamber accordance with standard. Therefore, these values depend on the ambient conditions and values are normally higher in actual operation
4. This product contains fluorinated greenhouse gases (R32)

## CEILING MOUNTED CASSETTE



## H-INVERTER (R32)

UT36FH  
UT42FH  
UT48FH  
UT60FH



LG participates in the ECP programme for EUROVENT AC program.  
Check ongoing validity of certification  
: www.eurovent-certification.com

UUD1 U30



| COMBINATION               |                    |                   |           | 36                 | 42                 | 48                 | 60                 |
|---------------------------|--------------------|-------------------|-----------|--------------------|--------------------|--------------------|--------------------|
| Capacity                  | Cooling            | Min - Rated - Max | kW        | 3.8 / 9.5 / 12.8   | 4.8 / 12.1 / 14.5  | 5.4 / 13.4 / 16.1  | 6.0 / 15.0 / 16.2  |
|                           | Heating            | Min - Rated - Max | kW        | 4.3 / 10.8 / 13.7  | 5.4 / 13.5 / 16.2  | 6.2 / 15.5 / 17.8  | 7.0 / 17.5 / 19.3  |
| Power Input (Set)         | Cooling            | Min - Rated - Max | kW        | 0.40 / 2.15 / 3.23 | 0.60 / 3.14 / 4.24 | 0.80 / 3.83 / 5.17 | 0.90 / 4.69 / 5.25 |
|                           | Heating            | Min - Rated - Max | kW        | 0.50 / 2.40 / 3.36 | 0.70 / 3.29 / 4.28 | 0.80 / 4.19 / 5.24 | 1.10 / 5.38 / 6.19 |
| Running Current           | Cooling            | Rated             | A         | 9.6                | 13.8               | 16.9               | 20.5               |
|                           | Heating            | Rated             | A         | 10.4               | 14.4               | 18.3               | 23.6               |
| EER / COP                 |                    |                   | kWh/kWh   | 4.42 / 4.50        | 3.85 / 4.10        | 3.50 / 3.70        | 3.20 / 3.25        |
| SEER / SCOP               |                    |                   | kWh/kWh   | 7.6 / 4.5          | 7.4 / 4.5          | 6.8 / 4.5          | 6.6 / 4.5          |
| Pdesign                   | Cooling @ 35°C     |                   | kW        | 9.5                | 12.1               | 13.4               | 15                 |
|                           | Heating @ -10°C    |                   | kW        | 9.5                | 9.5                | 9.5                | 9.5                |
| Seasonal Energy Label     | Cooling / Heating  |                   | -         | A++ / A+           | - / -              | - / -              | - / -              |
| Annual Energy Consumption | Cooling / Heating  |                   | kWh       | 437 / 2,956        | 981 / 2,956        | 1,182 / 2,956      | 1,364 / 2,956      |
| Dehumidification Rate     |                    |                   | l/h       | 2.6                | 4.8                | 5.3                | 6.9                |
| ODU Sound Pressure Level  | Cooling / Heating  | Rated             | dB(A)     | 50 / 50            | 51 / 52            | 52 / 53            | 54 / 54            |
| ODU Sound Power Level     | Cooling            | Rated             | dB(A)     | 66                 | 69                 | 69                 | 71                 |
| Piping Connections        | Liquid             |                   | mm (inch) | Ø9.52 (3/8)        | Ø9.52 (3/8)        | Ø9.52 (3/8)        | Ø9.52 (3/8)        |
|                           | Gas                |                   | mm (inch) | Ø15.88 (5/8)       | Ø15.88 (5/8)       | Ø15.88 (5/8)       | Ø15.88 (5/8)       |
|                           | Connections Method |                   | -         | Flaredd            | Flared             | Flared             | Flared             |
| Operation Range (Outdoor) | Cooling            | Min - Max         | °C        | -20 - 52           | -20 - 52           | -20 - 52           | -20 - 52           |
|                           | Heating            | Min - Max         | °C        | -25 - 18           | -25 - 18           | -25 - 18           | -25 - 18           |

| INDOOR                        |            |             |          | UT36FH NAO      | UT42FH NAO      | UT48FH NAO      | UT60FH NAO      |
|-------------------------------|------------|-------------|----------|-----------------|-----------------|-----------------|-----------------|
| Power Supply                  |            |             | Ø, V, Hz | 1, 220-240, 50  | 1, 220-240, 50  | 1, 220-240, 50  | 1, 220-240, 50  |
| Power Input (IDU)             |            | H / M / L   | W        | 70 / 59 / 50    | 70 / 59 / 50    | 81 / 60 / 50    | 81 / 60 / 50    |
| Air Flow Rate                 |            | H / M / L   | m³/min   | 28 / 25 / 23    | 28 / 25 / 23    | 30 / 27 / 24    | 30 / 27 / 24    |
| Dimensions                    | Body       | W x H x D   | mm       | 840 x 288 x 840 | 840 x 288 x 840 | 840 x 288 x 840 | 840 x 288 x 840 |
| Weight                        | Body       |             | kg       | 27.2            | 27.2            | 27.2            | 27.2            |
| Sound Pressure Level          | Cooling    | H / M / L   | dB(A)    | 44 / 42 / 41    | 44 / 42 / 41    | 45 / 43 / 41    | 45 / 43 / 41    |
| Sound Power Level             | Cooling    | Max.        | dB(A)    | 59              | 59              | 61              | 61              |
| Piping Connections            | Drain      | O.D. / I.D. | mm       | Ø32.0 / 25.0    | Ø32.0 / 25.0    | Ø32.0 / 25.0    | Ø32.0 / 25.0    |
|                               | Model Name |             | -        | PT-AFGW0        | PT-AFGW0        | PT-AFGW0        | PT-AFGW0        |
|                               | Color      |             | -        | White           | White           | White           | White           |
| Recommended Decoration Panel* | Dimensions | Body        | mm       | 950 x 35 x 950  | 950 x 35 x 950  | 950 x 35 x 950  | 950 x 35 x 950  |
|                               | Weight     | Body        | kg       | 7.5             | 7.5             | 7.5             | 7.5             |

| OUTDOOR                             |                                |           |              | UUD1 U30          |  |  |  |
|-------------------------------------|--------------------------------|-----------|--------------|-------------------|--|--|--|
| Power Supply                        |                                |           | Ø, V, Hz     | 1, 220-240, 50    |  |  |  |
| Circuit Breaker                     |                                | Min       | A            | 40                |  |  |  |
| Power Supply Cable (included Earth) |                                |           | No x mm³     | 3C x 6.0          |  |  |  |
| Dimensions                          | Net                            | W x H x D | mm           | 950 x 1,380 x 330 |  |  |  |
| Weight                              | Net                            |           | kg           | 85.0              |  |  |  |
| Compressor                          | Type                           |           | -            | Inverter Scroll   |  |  |  |
|                                     | Type                           |           | -            | R32               |  |  |  |
| Refrigerant                         | GWP (Global Warming Potential) |           | -            | 675               |  |  |  |
|                                     | Precharged Amount              |           | kg           | 3.0               |  |  |  |
|                                     | t-CO <sub>2</sub> eq.          |           | -            | 2.025             |  |  |  |
|                                     | Additional Charge (After 7.5m) |           | g/m          | 40                |  |  |  |
| Fan                                 | Air Flow Rate                  | Rated     | m³/min x No. | 55 x 2            |  |  |  |
| Total Piping Length                 |                                | Min / Max | m            | 5 / 85            |  |  |  |
| Piping Elevation                    | IDU - ODU                      | Max       | m            | 30                |  |  |  |

\* Decoration panel can be selected as an optional accessory.

Note :

- Due to our policy of innovation some specifications may be changed without notification.
- Performances are based on the following conditions (It is accordance with EN14511)
  - Cooling : Indoor Ambient Temp. 27°CDB / 19°CWB, Outdoor Ambient Temp. 35°CDB / 24°CWB
  - Heating : Indoor Ambient Temp. 20°CDB / 15°CWB, Outdoor Ambient Temp. 7°CDB / 6°CWB
  - Interconnected Pipe is standard length and difference of Elevation (Outdoor - Indoor Unit) is 0m.
- Sound Level Values are measured at Noise Measuring chamber accordance with standard. Therefore, these values depend on the ambient conditions and values are normally higher in actual operation
- This product contains fluorinated greenhouse gases (R32)

## CEILING MOUNTED CASSETTE



## H-INVERTER (R32)

UT36FH  
UT42FH  
UT48FH  
UT60FH



LG participates in the ECP programme for EUROVENT AC program.  
Check ongoing validity of certification  
: www.eurovent-certification.com

UUD3 U30



| COMBINATION               |                    |                   |           | 36                 | 42                 | 48                 | 60                 |
|---------------------------|--------------------|-------------------|-----------|--------------------|--------------------|--------------------|--------------------|
| Capacity                  | Cooling            | Min - Rated - Max | kW        | 3.8 / 9.5 / 12.8   | 4.8 / 12.1 / 14.5  | 5.4 / 13.4 / 16.1  | 6.0 / 15.0 / 16.2  |
|                           | Heating            | Min - Rated - Max | kW        | 4.3 / 10.8 / 13.7  | 5.4 / 13.5 / 16.2  | 6.2 / 15.5 / 17.8  | 7.0 / 17.5 / 19.3  |
| Power Input (Set)         | Cooling            | Min - Rated - Max | kW        | 0.40 / 2.15 / 3.23 | 0.60 / 3.14 / 4.24 | 0.80 / 3.83 / 5.17 | 0.90 / 4.69 / 5.25 |
|                           | Heating            | Min - Rated - Max | kW        | 0.50 / 2.40 / 3.36 | 0.70 / 3.29 / 4.28 | 0.80 / 4.19 / 5.24 | 1.10 / 5.38 / 6.19 |
| Running Current           | Cooling            | Rated             | A         | 3.6                | 4.9                | 6.0                | 7.3                |
|                           | Heating            | Rated             | A         | 3.8                | 5.1                | 6.5                | 8.2                |
| EER / COP                 |                    |                   | kWh/kWh   | 4.42 / 4.50        | 3.85 / 4.10        | 3.50 / 3.70        | 3.20 / 3.25        |
| SEER / SCOP               |                    |                   | kWh/kWh   | 7.6 / 4.5          | 7.4 / 4.5          | 6.8 / 4.5          | 6.6 / 4.5          |
| Pdesign                   | Cooling @ 35°C     |                   | kW        | 9.5                | 12.1               | 13.4               | 15                 |
|                           | Heating @ -10°C    |                   | kW        | 9.5                | 9.5                | 9.5                | 9.5                |
| Seasonal Energy Label     | Cooling / Heating  |                   | -         | A++ / A+           | - / -              | - / -              | - / -              |
| Annual Energy Consumption | Cooling / Heating  |                   | kWh       | 437 / 2,956        | 981 / 2,956        | 1,182 / 2,956      | 1,364 / 2,956      |
| Dehumidification Rate     |                    |                   | l/h       | 2.6                | 4.8                | 5.3                | 6.9                |
| ODU Sound Pressure Level  | Cooling / Heating  | Rated             | dB(A)     | 50 / 50            | 51 / 52            | 52 / 53            | 54 / 54            |
| ODU Sound Power Level     | Cooling            | Rated             | dB(A)     | 66                 | 69                 | 69                 | 71                 |
| Piping Connections        | Liquid             |                   | mm (inch) | Ø9.52 (3/8)        | Ø9.52 (3/8)        | Ø9.52 (3/8)        | Ø9.52 (3/8)        |
|                           | Gas                |                   | mm (inch) | Ø15.88 (5/8)       | Ø15.88 (5/8)       | Ø15.88 (5/8)       | Ø15.88 (5/8)       |
|                           | Connections Method |                   | -         | Flared             | Flared             | Flared             | Flared             |
| Operation Range (Outdoor) | Cooling            | Min - Max         | °C        | -20 - 52           | -20 - 52           | -20 - 52           | -20 - 52           |
|                           | Heating            | Min - Max         | °C        | -25 - 18           | -25 - 18           | -25 - 18           | -25 - 18           |

| INDOOR                        |            |             |          | UT36FH NAO      | UT42FH NAO      | UT48FH NAO      | UT60FH NAO      |
|-------------------------------|------------|-------------|----------|-----------------|-----------------|-----------------|-----------------|
| Power Supply                  |            |             | Ø, V, Hz | 1, 220-240, 50  | 1, 220-240, 50  | 1, 220-240, 50  | 1, 220-240, 50  |
| Power Input (IDU)             |            | H / M / L   | W        | 70 / 59 / 50    | 70 / 59 / 50    | 81 / 60 / 50    | 81 / 60 / 50    |
| Air Flow Rate                 |            | H / M / L   | m³/min   | 28 / 25 / 23    | 28 / 25 / 23    | 30 / 27 / 24    | 30 / 27 / 24    |
| Dimensions                    | Body       | W x H x D   | mm       | 840 x 288 x 840 | 840 x 288 x 840 | 840 x 288 x 840 | 840 x 288 x 840 |
| Weight                        | Body       |             | kg       | 27.2            | 27.2            | 27.2            | 27.2            |
| Sound Pressure Level          | Cooling    | H / M / L   | dB(A)    | 44 / 42 / 41    | 44 / 42 / 41    | 45 / 43 / 41    | 45 / 43 / 41    |
| Sound Power Level             | Cooling    | Max.        | dB(A)    | 59              | 59              | 61              | 61              |
| Piping Connections            | Drain      | O.D. / I.D. | mm       | Ø32.0 / 25.0    | Ø32.0 / 25.0    | Ø32.0 / 25.0    | Ø32.0 / 25.0    |
|                               | Model Name |             | -        | PT-AFGW0        | PT-AFGW0        | PT-AFGW0        | PT-AFGW0        |
|                               | Color      |             | -        | White           | White           | White           | White           |
| Recommended Decoration Panel* | Dimensions | Body        | mm       | 950 x 35 x 950  | 950 x 35 x 950  | 950 x 35 x 950  | 950 x 35 x 950  |
|                               | Weight     | Body        | kg       | 7.5             | 7.5             | 7.5             | 7.5             |

| OUTDOOR                             |                                |           |              | UUD3 U30          |  |  |  |
|-------------------------------------|--------------------------------|-----------|--------------|-------------------|--|--|--|
| Power Supply                        |                                |           | Ø, V, Hz     | 3, 380-415, 50    |  |  |  |
| Circuit Breaker                     |                                | Min       | A            | 20                |  |  |  |
| Power Supply Cable (included Earth) |                                |           | No x mm³     | 5C x 2.5          |  |  |  |
| Dimensions                          | Net                            | W x H x D | mm           | 950 x 1,380 x 330 |  |  |  |
| Weight                              | Net                            |           | kg           | 85                |  |  |  |
| Compressor                          | Type                           |           | -            | Inverter Scroll   |  |  |  |
|                                     | Type                           |           | -            | R32               |  |  |  |
| Refrigerant                         | GWP (Global Warming Potential) |           | -            | 675               |  |  |  |
|                                     | Precharged Amount              |           | kg           | 3.0               |  |  |  |
|                                     | t-CO <sub>2</sub> eq.          |           | -            | 2.025             |  |  |  |
|                                     | Additional Charge (After 7.5m) |           | g/m          | 40                |  |  |  |
| Fan                                 | Air Flow Rate                  | Rated     | m³/min x No. | 55 x 2            |  |  |  |
| Total Piping Length                 |                                | Min / Max | m            | 5 / 85            |  |  |  |
| Piping Elevation                    | IDU - ODU                      | Max       | m            | 30                |  |  |  |

\* Decoration panel can be selected as an optional accessory.

Note :

- Due to our policy of innovation some specifications may be changed without notification.
- Performances are based on the following conditions (It is accordance with EN14511)
  - Cooling : Indoor Ambient Temp. 27°CDB / 19°CWB, Outdoor Ambient Temp. 35°CDB / 24°CWB
  - Heating : Indoor Ambient Temp. 20°CDB / 15°CWB, Outdoor Ambient Temp. 7°CDB / 6°CWB
  - Interconnected Pipe is standard length and difference of Elevation (Outdoor - Indoor Unit) is 0m.
- Sound Level Values are measured at Noise Measuring chamber accordance with standard. Therefore, these values depend on the ambient conditions and values are normally higher in actual operation
- This product contains fluorinated greenhouse gases (R32)

## CEILING MOUNTED CASSETTE



## STANDARD INVERTER (R32)

CT09F  
CT12F  
CT18F  
CT24F  
UT30F



UUA1 ULO

UUB1 U20

UUC1 U40



LG participates in the ECP programme for EUROVENT AC program.  
Check ongoing validity of certification  
: www.eurovent-certification.com

| COMBINATION               |                    |                   |           | 9                  | 12                 | 18                 | 24                 | 30                 |
|---------------------------|--------------------|-------------------|-----------|--------------------|--------------------|--------------------|--------------------|--------------------|
| Capacity                  | Cooling            | Min - Rated - Max | kW        | 1.5 / 2.5 / 3.2    | 1.5 / 3.4 / 4.5    | 2.0 / 5.0 / 5.8    | 2.7 / 6.8 / 8.0    | 3.2 / 8.0 / 9.2    |
|                           | Heating            | Min - Rated - Max | kW        | 1.8 / 3.2 / 3.7    | 1.8 / 4.1 / 5.0    | 2.3 / 5.7 / 6.6    | 3.0 / 7.5 / 9.0    | 3.6 / 8.9 / 10.1   |
| Power Input (Set)         | Cooling            | Min - Rated - Max | kW        | 0.30 / 0.61 / 0.87 | 0.30 / 0.98 / 1.62 | 0.30 / 1.57 / 2.20 | 0.40 / 1.93 / 2.66 | 0.50 / 2.45 / 3.14 |
|                           | Heating            | Min - Rated - Max | kW        | 0.30 / 0.75 / 0.89 | 0.30 / 1.11 / 1.57 | 0.30 / 1.52 / 2.13 | 0.40 / 1.96 / 2.84 | 0.50 / 2.62 / 3.25 |
| Running Current           | Cooling            | Rated             | A         | 2.7                | 4.4                | 8.0                | 8.6                | 10.9               |
|                           | Heating            | Rated             | A         | 3.3                | 4.9                | 7.8                | 8.7                | 11.6               |
| EER / COP                 |                    |                   | kWh/kWh   | 4.10 / 4.30        | 3.50 / 3.70        | 3.19 / 3.74        | 3.52 / 3.83        | 3.27 / 3.40        |
| SEER / SCOP               |                    |                   | kWh/kWh   | 6.7 / 4.0          | 6.7 / 4.0          | 6.4 / 4.3          | 7.4 / 4.3          | 7.1 / 4.3          |
| Pdesign                   | Cooling @ 35°C     |                   | kW        | 2.5                | 3.4                | 5                  | 6.8                | 8                  |
|                           | Heating @ -10°C    |                   | kW        | 2.8                | 2.8                | 4.1                | 5.6                | 5.6                |
| Seasonal Energy Label     | Cooling / Heating  |                   | -         | A++ / A+           | A++ / A+           | A++ / A+           | A++ / A+           | A++ / A+           |
| Annual Energy Consumption | Cooling / Heating  |                   | kWh       | 131 / 980          | 178 / 980          | 273 / 1,335        | 322 / 1,823        | 394 / 1,823        |
| Dehumidification Rate     |                    |                   | l/h       | 0.63               | 1.26               | 1.89               | 2.8                | 2.8                |
| ODU Sound Pressure Level  | Cooling / Heating  | Rated             | dB(A)     | 49 / 52            | 49 / 52            | 47 / 52            | 48 / 52            | 50 / 52            |
|                           | Cooling            | Rated             | dB(A)     | 65                 | 65                 | 63                 | 65                 | 68                 |
| Piping Connections        | Liquid             |                   | mm (inch) | Ø6.35 (1/4)        | Ø6.35 (1/4)        | Ø6.35 (1/4)        | Ø9.52 (3/8)        | Ø9.52 (3/8)        |
|                           | Gas                |                   | mm (inch) | Ø9.52 (3/8)        | Ø9.52 (3/8)        | Ø12.7 (1/2)        | Ø15.88 (5/8)       | Ø15.88 (5/8)       |
|                           | Connections Method |                   | -         | Flared             | Flared             | Flared             | Flared             | Flared             |
| Operation Range (Outdoor) | Cooling            | Min - Max         | °C        | -15 - 50           | -15 - 50           | -15 - 50           | -20 - 50           | -20 - 50           |
|                           | Heating            | Min - Max         | °C        | -20 - 18           | -20 - 18           | -20 - 18           | -20 - 18           | -20 - 18           |

| INDOOR                        |            |             |          | CT09F NR0       | CT12F NR0       | CT18F NQ0       | CT24F NBO       | UT30F NBO       |
|-------------------------------|------------|-------------|----------|-----------------|-----------------|-----------------|-----------------|-----------------|
| Power Supply                  |            |             | Ø, V, Hz | 1, 220-240, 50  | 1, 220-240, 50  | 1, 220-240, 50  | 1, 220-240, 50  | 1, 220-240, 50  |
| Power Input (IDU)             |            | H / M / L   | W        | 26 / 22 / 19    | 28 / 24 / 20    | 30 / 26 / 22    | 36 / 26 / 21    | 40 / 33 / 26    |
| Air Flow Rate                 |            | H / M / L   | m³ / min | 8.5 / 7.0 / 6.0 | 9.5 / 8.0 / 7.0 | 13 / 12 / 11    | 18 / 15.5 / 14  | 19 / 17 / 15.5  |
| Dimensions                    | Body       | W x H x D   | mm       | 570 x 214 x 570 | 570 x 214 x 570 | 570 x 256 x 570 | 840 x 204 x 840 | 840 x 204 x 840 |
| Weight                        | Body       |             | kg       | 12.4            | 12.4            | 13.9            | 21.1            | 21.1            |
| Sound Pressure Level          | Cooling    | H / M / L   | dB(A)    | 36 / 33 / 30    | 38 / 35 / 32    | 41 / 39 / 37    | 38 / 36 / 34    | 40 / 37 / 35    |
| Sound Power Level             | Cooling    | Max.        | dB(A)    | 52              | 52              | 57              | 53              | 57              |
| Piping Connections            | Drain      | O.D. / I.D. | mm       | Ø32.0 / 25.0    | Ø32.0 / 25.0    | Ø32.0 / 25.0    | Ø32.0 / 25.0    | Ø32.0 / 25.0    |
| Recommended Decoration Panel* | Model Name |             | -        | PT-QAGW0        | PT-QAGW0        | PT-QAGW0        | PT-AAGW0        | PT-AAGW0        |
|                               | Color      |             | -        | White           | White           | White           | White           | White           |
|                               | Dimensions | Body        | mm       | 620 x 34 x 620  | 620 x 34 x 620  | 620 x 34 x 620  | 950 x 35 x 950  | 950 x 35 x 950  |
|                               | Weight     | Body        | kg       | 3.0             | 3.0             | 3.0             | 7.1             | 7.1             |

| OUTDOOR                             |                                |           |              | UUA1 ULO        | UUB1 U20        | UUC1 U40        |
|-------------------------------------|--------------------------------|-----------|--------------|-----------------|-----------------|-----------------|
| Power Supply                        |                                |           | Ø, V, Hz     | 1, 220-240, 50  | 1, 220-240, 50  | 1, 220-240, 50  |
| Circuit Breaker                     |                                | Min       | A            | 15              | 20              | 25              |
| Power Supply Cable (included Earth) |                                |           | No x mm²     | 3C x 1.5        | 3C x 2.5        | 3C x 2.5        |
| Dimensions                          | Net                            | W x H x D | mm           | 770 x 545 x 288 | 870 x 650 x 330 | 950 x 834 x 330 |
| Weight                              | Net                            |           | kg           | 33.3            | 44.5            | 57.7            |
| Compressor                          | Type                           |           | -            | Twin Rotary     | Twin Rotary     | Twin Rotary     |
|                                     | Type                           |           | -            | R32             | R32             | R32             |
| Refrigerant                         | GWP (Global Warming Potential) |           | -            | 675             | 675             | 675             |
|                                     | Precharged Amount              |           | kg           | 1.0             | 1.2             | 1.9             |
|                                     | t-CO <sub>2</sub> eq.          |           | -            | 0.675           | 0.81            | 1.283           |
|                                     | Additional Charge (After 7.5m) |           | g/m          | 20              | 20              | 40              |
| Fan                                 | Air Flow Rate                  | Rated     | m³/min x No. | 28 x 1          | 50 x 1          | 58 x 1          |
| Total Piping Length                 |                                | Min / Max | m            | 5 / 30          | 5 / 30          | 5 / 50          |
| Piping Elevation                    | IDU - ODU                      | Max       | m            | 30              | 30              | 30              |

\* Decoration panel can be selected as an optional accessory.

Note :

- Due to our policy of innovation some specifications may be changed without notification.
- Performances are based on the following conditions (It is accordance with EN14511)
  - Cooling : Indoor Ambient Temp. 27°CDB / 19°CWB, Outdoor Ambient Temp. 35°CDB / 24°CWB
  - Heating : Indoor Ambient Temp. 20°CDB / 15°CWB, Outdoor Ambient Temp. 7°CDB / 6°CWB
  - Interconnected Pipe is standard length and difference of Elevation (Outdoor - Indoor Unit) is 0m.
- Sound Level Values are measured at Noise Measuring chamber accordance with standard. Therefore, these values depend on the ambient conditions and values are normally higher in actual operation
- This product contains fluorinated greenhouse gases (R32)

## CEILING MOUNTED CASSETTE



## STANDARD INVERTER (R32)

UT36F  
UT42F  
UT48F  
UT60F



UUD1 U30



LG participates in the ECP programme for EUROVENT AC program.  
Check ongoing validity of certification  
: www.eurovent-certification.com

| COMBINATION               |                    |                   |           | 36                 | 42                 | 48                 | 60                 |
|---------------------------|--------------------|-------------------|-----------|--------------------|--------------------|--------------------|--------------------|
| Capacity                  | Cooling            | Min - Rated - Max | kW        | 3.8 / 9.5 / 12.5   | 4.8 / 12.1 / 14.2  | 5.4 / 13.4 / 15.7  | 5.8 / 14.6 / 15.8  |
|                           | Heating            | Min - Rated - Max | kW        | 4.3 / 10.8 / 13.4  | 5.4 / 13.5 / 15.8  | 6.2 / 15.5 / 17.5  | 6.8 / 16.9 / 18.3  |
| Power Input (Set)         | Cooling            | Min - Rated - Max | kW        | 0.50 / 2.26 / 3.44 | 0.70 / 3.31 / 4.30 | 0.90 / 4.25 / 5.53 | 1.00 / 5.21 / 5.84 |
|                           | Heating            | Min - Rated - Max | kW        | 0.50 / 2.43 / 3.30 | 0.70 / 3.51 / 4.56 | 0.90 / 4.37 / 5.33 | 1.00 / 5.12 / 5.89 |
| Running Current           | Cooling            | Rated             | A         | 10.1               | 14.6               | 18.7               | 23.1               |
|                           | Heating            | Rated             | A         | 10.7               | 15.0               | 19.0               | 22.7               |
| EER / COP                 |                    |                   | kWh/kWh   | 4.20 / 4.45        | 3.66 / 3.85        | 3.15 / 3.55        | 2.80 / 3.30        |
| SEER / SCOP               |                    |                   | kWh/kWh   | 7.0 / 4.3          | 7.0 / 4.3          | 6.5 / 4.2          | 6.2 / 4.2          |
| Pdesign                   | Cooling @ 35°C     |                   | kW        | 9.5                | 12.1               | 13.4               | 14.6               |
|                           | Heating @ -10°C    |                   | kW        | 9.5                | 9.5                | 9.5                | 9.5                |
| Seasonal Energy Label     | Cooling / Heating  |                   | -         | A++ / A+           | - / -              | - / -              | - / -              |
| Annual Energy Consumption | Cooling / Heating  |                   | kWh       | 475 / 3,093        | 1,037 / 3,093      | 1,237 / 3,167      | 1,413 / 3,167      |
| Dehumidification Rate     |                    |                   | l/h       | 2.4                | 4.5                | 5.7                | 6.6                |
| ODU Sound Pressure Level  | Cooling / Heating  | Rated             | dB(A)     | 50 / 50            | 51 / 52            | 52 / 53            | 54 / 54            |
|                           | Cooling            | Rated             | dB(A)     | 66                 | 69                 | 69                 | 71                 |
| Piping Connections        | Liquid             |                   | mm (inch) | Ø9.52 (3/8)        | Ø9.52 (3/8)        | Ø9.52 (3/8)        | Ø9.52 (3/8)        |
|                           | Gas                |                   | mm (inch) | Ø15.88 (5/8)       | Ø15.88 (5/8)       | Ø15.88 (5/8)       | Ø15.88 (5/8)       |
|                           | Connections Method |                   | -         | Flared             | Flared             | Flared             | Flared             |
| Operation Range (Outdoor) | Cooling            | Min - Max         | °C        | -20 - 52           | -20 - 52           | -20 - 52           | -20 - 52           |
|                           | Heating            | Min - Max         | °C        | -25 - 18           | -25 - 18           | -25 - 18           | -25 - 18           |

| INDOOR                        |            |             |          | UT36F NAO        | UT42F NAO        | UT48F NAO       | UT60F NAO       |
|-------------------------------|------------|-------------|----------|------------------|------------------|-----------------|-----------------|
| Power Supply                  |            |             | Ø, V, Hz | 1, 220-240, 50   | 1, 220-240, 50   | 1, 220-240, 50  | 1, 220-240, 50  |
| Power Input (IDU)             |            | H / M / L   | W        | 60 / 50 / 45     | 60 / 50 / 45     | 80 / 60 / 50    | 80 / 60 / 50    |
| Air Flow Rate                 |            | H / M / L   | m³/min   | 27.5 / 25 / 22.5 | 27.5 / 25 / 22.5 | 30 / 27.5 / 25  | 30 / 27.5 / 25  |
| Dimensions                    | Body       | W x H x D   | mm       | 840 x 288 x 840  | 840 x 288 x 840  | 840 x 288 x 840 | 840 x 288 x 840 |
| Weight                        | Body       |             | kg       | 25.3             | 25.3             | 25.3            | 25.3            |
| Sound Pressure Level          | Cooling    | H / M / L   | dB(A)    | 44 / 42 / 41     | 44 / 42 / 41     | 46 / 44 / 42    | 46 / 44 / 42    |
| Sound Power Level             | Cooling    | Max.        | dB(A)    | 61               | 61               | 62              | 62              |
| Piping Connections            | Drain      | O.D. / I.D. | mm       | Ø32.0 / 25.0     | Ø32.0 / 25.0     | Ø32.0 / 25.0    | Ø32.0 / 25.0    |
| Recommended Decoration Panel* | Model Name |             | -        | PT-AAGW0         | PT-AAGW0         | PT-AAGW0        | PT-AAGW0        |
|                               | Color      |             | -        | White            | White            | White           | White           |
|                               | Dimensions | Body        | mm       | 950 x 35 x 950   | 950 x 35 x 950   | 950 x 35 x 950  | 950 x 35 x 950  |
|                               | Weight     | Body        | kg       | 7.1              | 7.1              | 7.1             | 7.1             |

| OUTDOOR                             |                                |           |              | UUD1 U30          |
|-------------------------------------|--------------------------------|-----------|--------------|-------------------|
| Power Supply                        |                                |           | Ø, V, Hz     | 1, 220-240, 50    |
| Circuit Breaker                     |                                | Min       | A            | 40                |
| Power Supply Cable (included Earth) |                                |           | No x mm²     | 3C x 6.0          |
| Dimensions                          | Net                            | W x H x D | mm           | 950 x 1,380 x 330 |
| Weight                              | Net                            |           | kg           | 85.0              |
| Compressor                          | Type                           |           | -            | Inverter Scroll   |
|                                     | Type                           |           | -            | R32               |
| Refrigerant                         | GWP (Global Warming Potential) |           | -            | 675               |
|                                     | Precharged Amount              |           | kg           | 3.0               |
|                                     | t-CO <sub>2</sub> eq.          |           | -            | 2.025             |
|                                     | Additional Charge (After 7.5m) |           | g/m          | 40                |
| Fan                                 | Air Flow Rate                  | Rated     | m³/min x No. | 55 x 2            |
| Total Piping Length                 |                                | Min / Max | m            | 5 / 85            |
| Piping Elevation                    | IDU - ODU                      | Max       | m            | 30                |

\* Decoration panel can be selected as an optional accessory.

Note :

- Due to our policy of innovation some specifications may be changed without notification.
- Performances are based on the following conditions (It is accordance with EN14511)
  - Cooling : Indoor Ambient Temp. 27°CDB / 19°CWB, Outdoor Ambient Temp. 35°CDB / 24°CWB
  - Heating : Indoor Ambient Temp. 20°CDB / 15°CWB, Outdoor Ambient Temp. 7°CDB / 6°CWB
  - Interconnected Pipe is standard length and difference of Elevation (Outdoor - Indoor Unit) is 0m.
- Sound Level Values are measured at Noise Measuring chamber accordance with standard. Therefore, these values depend on the ambient conditions and values are normally higher in actual operation
- This product contains fluorinated greenhouse gases (R32)



# CEILING MOUNTED CASSETTE



## STANDARD INVERTER (R32)

UT36F  
UT42F  
UT48F  
UT60F



LG participates in the ECP programme for EUROVENT AC program. Check ongoing validity of certification : [www.eurovent-certification.com](http://www.eurovent-certification.com)



UUD3 U30



| COMBINATION               |                    |                   |           | 36                 | 42                 | 48                 | 60                 |
|---------------------------|--------------------|-------------------|-----------|--------------------|--------------------|--------------------|--------------------|
| Capacity                  | Cooling            | Min - Rated - Max | kW        | 3.8 / 9.5 / 12.5   | 4.8 / 12.1 / 14.2  | 5.4 / 13.4 / 15.7  | 5.8 / 14.6 / 15.8  |
|                           | Heating            | Min - Rated - Max | kW        | 4.3 / 10.8 / 13.4  | 5.4 / 13.5 / 15.8  | 6.2 / 15.5 / 17.5  | 6.8 / 16.9 / 18.3  |
| Power Input (Set)         | Cooling            | Min - Rated - Max | kW        | 0.50 / 2.26 / 3.44 | 0.70 / 3.31 / 4.30 | 0.90 / 4.25 / 5.53 | 1.00 / 5.21 / 5.84 |
|                           | Heating            | Min - Rated - Max | kW        | 0.50 / 2.43 / 3.30 | 0.70 / 3.51 / 4.56 | 0.90 / 4.37 / 5.33 | 1.00 / 5.12 / 5.89 |
| Running Current           | Cooling            | Rated             | A         | 3.8                | 5.2                | 6.6                | 8.1                |
|                           | Heating            | Rated             | A         | 3.9                | 5.4                | 6.7                | 7.9                |
| EER / COP                 |                    |                   | kWh/kWh   | 4.20 / 4.45        | 3.66 / 3.85        | 3.15 / 3.55        | 2.80 / 3.30        |
| SEER / SCOP               |                    |                   | kWh/kWh   | 7.0 / 4.3          | 7.0 / 4.3          | 6.5 / 4.2          | 6.2 / 4.2          |
| Pdesign                   | Cooling @ 35°C     |                   | kW        | 9.5                | 12.1               | 13.4               | 14.6               |
|                           | Heating @ -10°C    |                   | kW        | 9.5                | 9.5                | 9.5                | 9.5                |
| Seasonal Energy Label     | Cooling / Heating  |                   | -         | A++ / A+           | - / -              | - / -              | - / -              |
| Annual Energy Consumption | Cooling / Heating  |                   | kWh       | 475 / 3,093        | 1,037 / 3,093      | 1,237 / 3,167      | 1,413 / 3,167      |
| Dehumidification Rate     |                    |                   | l/h       | 2.4                | 4.5                | 5.7                | 6.6                |
| ODU Sound Pressure Level  | Cooling / Heating  | Rated             | dB(A)     | 50 / 50            | 51 / 52            | 52 / 53            | 54 / 54            |
| ODU Sound Power Level     | Cooling            | Rated             | dB(A)     | 66                 | 69                 | 69                 | 71                 |
| Piping Connections        | Liquid             |                   | mm (inch) | Ø9.52 (3/8)        | Ø9.52 (3/8)        | Ø9.52 (3/8)        | Ø9.52 (3/8)        |
|                           | Gas                |                   | mm (inch) | Ø15.88 (5/8)       | Ø15.88 (5/8)       | Ø15.88 (5/8)       | Ø15.88 (5/8)       |
|                           | Connections Method |                   | -         | Flared             | Flared             | Flared             | Flared             |
| Operation Range (Outdoor) | Cooling            | Min - Max         | °C        | -20 - 52           | -20 - 52           | -20 - 52           | -20 - 52           |
|                           | Heating            | Min - Max         | °C        | -25 - 18           | -25 - 18           | -25 - 18           | -25 - 18           |

| INDOOR                        |            |             |          | UT36F NAO        | UT42F NAO        | UT48F NAO       | UT60F NAO       |
|-------------------------------|------------|-------------|----------|------------------|------------------|-----------------|-----------------|
| Power Supply                  |            |             | Ø, V, Hz | 1, 220-240, 50   | 1, 220-240, 50   | 1, 220-240, 50  | 1, 220-240, 50  |
| Power Input (IDU)             |            | H / M / L   | W        | 60 / 50 / 45     | 60 / 50 / 45     | 80 / 60 / 50    | 80 / 60 / 50    |
| Air Flow Rate                 |            | H / M / L   | m³/min   | 27.5 / 25 / 22.5 | 27.5 / 25 / 22.5 | 30 / 27.5 / 25  | 30 / 27.5 / 25  |
| Dimensions                    | Body       | W x H x D   | mm       | 840 x 288 x 840  | 840 x 288 x 840  | 840 x 288 x 840 | 840 x 288 x 840 |
| Weight                        | Body       |             | kg       | 25.3             | 25.3             | 25.3            | 25.3            |
| Sound Pressure Level          | Cooling    | H / M / L   | dB(A)    | 44 / 42 / 41     | 44 / 42 / 41     | 46 / 44 / 42    | 46 / 44 / 42    |
| Sound Power Level             | Cooling    | Max.        | dB(A)    | 61               | 61               | 62              | 62              |
| Piping Connections            | Drain      | O.D. / I.D. | mm       | Ø32.0 / 25.0     | Ø32.0 / 25.0     | Ø32.0 / 25.0    | Ø32.0 / 25.0    |
| Recommended Decoration Panel* | Model Name |             | -        | PT-AAGW0         | PT-AAGW0         | PT-AAGW0        | PT-AAGW0        |
|                               | Color      |             | -        | White            | White            | White           | White           |
|                               | Dimensions | Body        | mm       | 950 x 35 x 950   | 950 x 35 x 950   | 950 x 35 x 950  | 950 x 35 x 950  |
|                               | Weight     | Body        | kg       | 7.1              | 7.1              | 7.1             | 7.1             |

| OUTDOOR                             |                                |           |              | UUD3 U30          |
|-------------------------------------|--------------------------------|-----------|--------------|-------------------|
| Power Supply                        |                                |           | Ø, V, Hz     | 3, 380-415, 50    |
| Circuit Breaker                     |                                | Min       | A            | 20                |
| Power Supply Cable (included Earth) |                                |           | No x mm²     | 5C x 2.5          |
| Dimensions                          | Net                            | W x H x D | mm           | 950 x 1,380 x 330 |
| Weight                              | Net                            |           | kg           | 85.0              |
| Compressor                          | Type                           |           | -            | Inverter Scroll   |
| Refrigerant                         | Type                           |           | -            | R32               |
|                                     | GWP (Global Warming Potential) |           | -            | 675               |
|                                     | Precharged Amount              |           | kg           | 3.0               |
|                                     | t-CO <sub>2</sub> eq.          |           | -            | 2.025             |
|                                     | Additional Charging Volume     |           | g/m          | 40                |
| Fan                                 | Air Flow Rate                  | Rated     | m³/min x No. | 55 x 2            |
| Total Piping Length                 |                                | Min / Max | m            | 5 / 85            |
| Piping Elevation                    | IDU - ODU                      | Max       | m            | 30                |

\* Decoration panel can be selected as an optional accessory.

Note :

- Due to our policy of innovation some specifications may be changed without notification.
- Performances are based on the following conditions (It is accordance with EN14511)
  - Cooling : Indoor Ambient Temp. 27°CDB / 19°CWB, Outdoor Ambient Temp. 35°CDB / 24°CWB
  - Heating : Indoor Ambient Temp. 20°CDB / 15°CWB, Outdoor Ambient Temp. 7°CDB / 6°CWB
  - Interconnected Pipe is standard length and difference of Elevation (Outdoor - Indoor Unit) is 0m.
- Sound Level Values are measured at Noise Measuring chamber accordance with standard. Therefore, these values depend on the ambient conditions and values are normally higher in actual operation
- This product contains fluorinated greenhouse gases (R32)

# CEILING MOUNTED CASSETTE



## COMPACT INVERTER (R32)

CT18F  
CT24F  
UT30F  
UT36F



LG participates in the ECP programme for EUROVENT AC program. Check ongoing validity of certification : [www.eurovent-certification.com](http://www.eurovent-certification.com)

UUA1 ULO

UUB1 U20

UUC1 U40



| COMBINATION               |                    |                   |           | 18                 | 24                 | 30                 | 36                 |
|---------------------------|--------------------|-------------------|-----------|--------------------|--------------------|--------------------|--------------------|
| Capacity                  | Cooling            | Min - Rated - Max | kW        | 1.8 / 5.0 / 5.5    | 2.7 / 6.8 / 7.5    | 3.0 / 7.5 / 8.3    | 3.8 / 9.5 / 10.8   |
|                           | Heating            | Min - Rated - Max | kW        | 2.1 / 5.2 / 5.7    | 3.0 / 7.5 / 8.6    | 3.2 / 7.9 / 8.7    | 4.3 / 10.8 / 11.7  |
| Power Input (Set)         | Cooling            | Min - Rated - Max | kW        | 0.34 / 1.76 / 2.11 | 0.40 / 2.00 / 2.40 | 0.50 / 2.31 / 2.77 | 0.60 / 2.79 / 3.57 |
|                           | Heating            | Min - Rated - Max | kW        | 0.30 / 1.45 / 1.87 | 0.40 / 2.21 / 2.87 | 0.50 / 2.37 / 3.08 | 0.60 / 2.77 / 3.30 |
| Running Current           | Cooling            | Rated             | A         | 7.8                | 8.8                | 10.1               | 12.4               |
|                           | Heating            | Rated             | A         | 6.4                | 9.6                | 10.4               | 12.3               |
| EER / COP                 |                    |                   | kWh/kWh   | 2.85 / 3.60        | 3.40 / 3.39        | 3.25 / 3.34        | 3.40 / 3.90        |
| SEER / SCOP               |                    |                   | kWh/kWh   | 6.3 / 3.9          | 7.0 / 4.2          | 6.8 / 4.2          | 6.7 / 4.3          |
| Pdesign                   | Cooling @ 35°C     |                   | kW        | 5                  | 6.8                | 7.5                | 9.5                |
|                           | Heating @ -10°C    |                   | kW        | 2.8                | 4.1                | 4.1                | 5.6                |
| Seasonal Energy Label     | Cooling / Heating  |                   | -         | A++ / A            | A++ / A+           | A++ / A+           | A++ / A+           |
| Annual Energy Consumption | Cooling / Heating  |                   | kWh       | 278 / 1,005        | 340 / 1,367        | 386 / 1,367        | 496 / 1,823        |
| Dehumidification Rate     |                    |                   | l/h       | 1.8                | 2.6                | 3.1                | 2.5                |
| ODU Sound Pressure Level  | Cooling / Heating  | Rated             | dB(A)     | 49 / 52            | 48 / 53            | 50 / 54            | 54 / 56            |
| ODU Sound Power Level     | Cooling            | Rated             | dB(A)     | 65                 | 65                 | 67                 | 70                 |
| Piping Connections        | Liquid             |                   | mm (inch) | Ø6.35 (1/4)        | Ø9.52 (3/8)        | Ø9.52 (3/8)        | Ø9.52 (3/8)        |
|                           | Gas                |                   | mm (inch) | Ø9.52 (3/8)        | Ø15.88 (5/8)       | Ø15.88 (5/8)       | Ø15.88 (5/8)       |
|                           | Connections Method |                   | -         | Flared             | Flared             | Flared             | Flared             |
| Operation Range (Outdoor) | Cooling            | Min - Max         | °C        | -10 - 50           | -10 - 48           | -10 - 48           | -20 - 50           |
|                           | Heating            | Min - Max         | °C        | -10 - 18           | -15 - 18           | -15 - 18           | -15 - 18           |

| INDOOR                        |            |             |          | CT18F NQ0       | CT24F NB0       | UT30F NB0       | UT36F NAO        |
|-------------------------------|------------|-------------|----------|-----------------|-----------------|-----------------|------------------|
| Power Supply                  |            |             | Ø, V, Hz | 1, 220-240, 50  | 1, 220-240, 50  | 1, 220-240, 50  | 1, 220-240, 50   |
| Power Input (IDU)             |            | H / M / L   | W        | 30 / 26 / 22    | 36 / 26 / 21    | 40 / 33 / 26    | 60 / 50 / 45     |
| Air Flow Rate                 |            | H / M / L   | m³/min   | 13 / 12 / 11    | 18 / 15.5 / 14  | 19 / 17 / 15.5  | 27.5 / 25 / 22.5 |
| Dimensions                    | Body       | W x H x D   | mm       | 570 x 256 x 570 | 840 x 204 x 840 | 840 x 204 x 840 | 840 x 288 x 840  |
| Weight                        | Body       |             | kg       | 13.9            | 21.1            | 21.1            | 25.3             |
| Sound Pressure Level          | Cooling    | H / M / L   | dB(A)    | 41 / 39 / 37    | 38 / 36 / 34    | 40 / 37 / 35    | 44 / 42 / 41     |
| Sound Power Level             | Cooling    | Max.        | dB(A)    | 57              | 53              | 57              | 61               |
| Piping Connections            | Drain      | O.D. / I.D. | mm       | Ø32.0 / 25.0    | Ø32.0 / 25.0    | Ø32.0 / 25.0    | Ø32.0 / 25.0     |
| Recommended Decoration Panel* | Model Name |             | -        | PT-QAGW0        | PT-AAGW0        | PT-AAGW0        | PT-AAGW0         |
|                               | Color      |             | -        | White           | White           | White           | White            |
|                               | Dimensions | Body        | mm       | 620 x 34 x 620  | 950 x 35 x 950  | 950 x 35 x 950  | 950 x 35 x 950   |
|                               | Weight     | Body        | kg       | 3.0             | 7.1             | 7.1             | 7.1              |

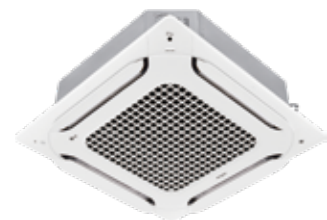
| OUTDOOR                             |                                |           |              | UUA1 ULO        | UUB1 U20        | UUC1 U40        |
|-------------------------------------|--------------------------------|-----------|--------------|-----------------|-----------------|-----------------|
| Power Supply                        |                                |           | Ø, V, Hz     | 1, 220-240, 50  | 1, 220-240, 50  | 1, 220-240, 50  |
| Circuit Breaker                     |                                | Min       | A            | 15              | 20              | 25              |
| Power Supply Cable (included Earth) |                                |           | No x mm²     | 3C x 1.5        | 3C x 2.5        | 3C x 2.5        |
| Dimensions                          | Net                            | W x H x D | mm           | 770 x 545 x 288 | 870 x 650 x 330 | 950 x 834 x 330 |
| Weight                              | Net                            |           | kg           | 33.3            | 44.5            | 57.7            |
| Compressor                          | Type                           |           | -            | Twin Rotary     | Twin Rotary     | Twin Rotary     |
| Refrigerant                         | Type                           |           | -            | R32             | R32             | R32             |
|                                     | GWP (Global Warming Potential) |           | -            | 675             | 675             | 675             |
|                                     | Precharged Amount              |           | kg           | 1.0             | 1.2             | 1.9             |
|                                     | t-CO <sub>2</sub> eq.          |           | -            | 0.675           | 0.81            | 1.283           |
|                                     | Additional Charge (After 7.5m) |           | g/m          | 20              | 40              | 40              |
| Fan                                 | Air Flow Rate                  | Rated     | m³/min x No. | 28 x 1          | 50 x 1          | 58 x 1          |
| Total Piping Length                 |                                | Min / Max | m            | 5 / 30          | 5 / 35          | 5 / 50          |
| Piping Elevation                    | IDU - ODU                      | Max       | m            | 30              | 30              | 30              |

\* Decoration panel can be selected as an optional accessory.

Note :

- Due to our policy of innovation some specifications may be changed without notification.
- Performances are based on the following conditions (It is accordance with EN14511)
  - Cooling : Indoor Ambient Temp. 27°CDB / 19°CWB, Outdoor Ambient Temp. 35°CDB / 24°CWB
  - Heating : Indoor Ambient Temp. 20°CDB / 15°CWB, Outdoor Ambient Temp. 7°CDB / 6°CWB
  - Interconnected Pipe is standard length and difference of Elevation (Outdoor - Indoor Unit) is 0m.
- Sound Level Values are measured at Noise Measuring chamber accordance with standard. Therefore, these values depend on the ambient conditions and values are normally higher in actual operation
- This product contains fluorinated greenhouse gases (R32)

# CASSETTE PANEL



## Model Name

PT-AAGWO  
PT-AEGWO  
PT-AFGWO  
PT-QAGWO

## Key Features

| Model    | Function  |          |                          |                  |                  |                  |
|----------|-----------|----------|--------------------------|------------------|------------------|------------------|
|          | Dual Vane | Wi-Fi    | Floor Temperature Sensor | Air Purification | Elevating Grille | Occupancy Sensor |
| PT-AAGWO | 0         | Optional | X                        | X                | X                | Optional         |
| PT-AEGWO | 0         | Optional | X                        | X                | 0                | Optional         |
| PT-AFGWO | 0         | Optional | 0                        | Optional         | X                | Optional         |

## Specification

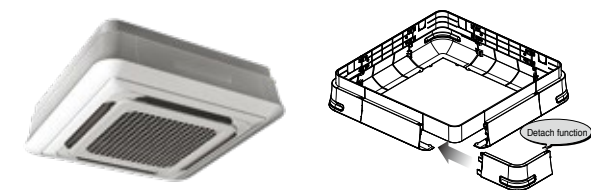
| Model    | Suction Type | Color (RAL)      | Gloss | Weight (kg) | Dimension (mm) |    |     |
|----------|--------------|------------------|-------|-------------|----------------|----|-----|
|          |              |                  |       |             | W              | H  | D   |
| PT-AAGWO | Grid         | White (RAL 9003) | -     | 7.1         | 950            | 35 | 950 |
| PT-AEGWO | Grid         | White (RAL 9003) | -     | 8.5         | 950            | 35 | 950 |
| PT-AFGWO | Grid         | White (RAL 9003) | -     | 7.5         | 950            | 35 | 950 |
| PT-QAGWO | Grid         | White (RAL 9003) | -     | 3.0         | 620            | 34 | 620 |

## Air Purification Kit

| Model            | Image | Model name | Dielectric Dust collecting filter | Photocatalytic Deodorizing filter | HVPS | Ionizer |
|------------------|-------|------------|-----------------------------------|-----------------------------------|------|---------|
| Air cleaning kit |       | PTAFMPO    | 0                                 | 0                                 | 0    | 0       |

# CASSETTE COVER

Cover in case of exposed cassette installation.



## Model Name

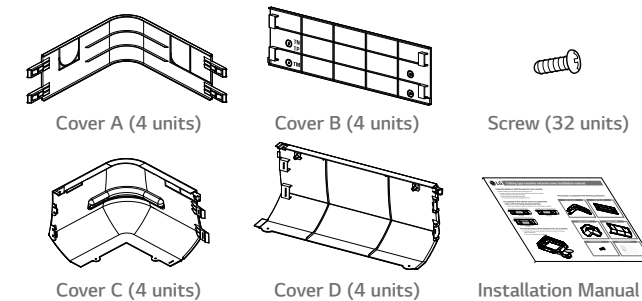
PTDCQ / PTDCA\*

## Applied Products

4 Way Cassette (for chassis TQ, TR)

## Included Parts

- Cover A, Cover B
- Cover C, Cover D
- Screws
- Installation Manual



## Key Features

- Specially designed for indoor unit
- Covers the side area of cassette
- Gives elegant looks
- Light weight

## Specification

| Model | Front Panel |    | Weight (kg) |       | Dimensions (mm) |     |     |
|-------|-------------|----|-------------|-------|-----------------|-----|-----|
|       |             |    | NET         | Gross | W               | H   | D   |
| PTDCQ | PT-UQC      | TR | 5.0         | 7.2   | 907             | 907 | 268 |
|       |             | TQ | 5.0         | 7.2   | 907             | 907 | 310 |

\* PTDCA suitable for Dual Vane 4 Way CST (840 x 840) will be available later

# CEILING CONCEALED DUCT

